

# ***Ionizing Nozzle***



## **Model IN3425**

*Ptec™ Air Ionizing Nozzle*

### ***Piezo AC Ionization: Powerful, Balanced and Precise***

#### **Features**

- Ptec™ Technology
- High Frequency AC (68KHz) ion emission
- Interchangeable nozzle tips
- Alarm indicator
- Quick release gas connections

#### **Benefits**

- Inherently stable output. Does not require calibration
- Reduces emitter cleaning. Extends emitter life. Dense ion output
- Point-of-use ionization for unique and difficult applications.
- Red output alarm illuminates to alert high voltage failure
- Easily installed and serviced


#### **Ptec™ Air Ionizing Nozzle**

A specialized piezoceramic high voltage transformer drives the technology making Ptec™ ionizers among the most reliable ionizers available. The model IN3425 air ionizing nozzle produces a 68KHz AC output of approximately 2200V and a continuous stream of balanced air ions. The IN3425 works efficiently with clean dry air (CDA) and nitrogen (N<sub>2</sub>) and is capable of 100 psi input. Stable, small and free from EMI, the IN3425 is equipped with auto ion balance and will alarm if the high voltage output fails.

#### **Maintenance Savings**

Ptec™ ionizers save time and money because they require no calibration. Emitter life is increased and maintenance frequency is reduced, due to 68KHz AC ion emission.

## Model IN3425 Ptec™ Specifications

<b>Power Supply Volt</b>	AC 80V~240V 50/60Hz
<b>Optional DC Power Unit</b>	DC24V 200mA
<b>Output HV</b>	AC2200V
<b>Safety Performance</b>	Abnormal HV Alarm
<b>Balance</b>	±30 volts
<b>Decay Time</b>	1000V—100V, < 2 seconds @ 6"
<b>Air line Requirements</b>	1/4" NPT
<b>Max. Air Range</b>	28—100 psi
<b>Ozone Density</b>	Less than 0.01 ppm
<b>LED Indicators</b>	Ionization: Green, Alarm: Red
<b>Controls</b>	On/off switch, variable fan speed
<b>Mounting</b>	(4) four mounting holes
<b>Emitter Points</b>	Alloy Discharge Needle
<b>Dimensions</b>	2.0"H x 7.1"W x 2.7"D, (5.0 x 2.9 x 8.7 cm) (with standard output nozzle)
<b>Weight</b>	1.0lbs, (.45kg)
<b>Options</b>	Various nozzle tips, (see selection chart)
<b>Warranty</b>	1-year limited warranty
<b>Certifications</b>	

### Output Nozzle Options

The IN3420 comes with the IN0010 standard nozzle tip. Wide angle, long range, bendable, luer lock or manifold tips may be substituted depending on the application.

- N0010: Standard 15°*
- N0020: Wide Angle*
- N0030: Luer Lock*
- N0040: Long Range*
- N0050: Bendable*
- N0060: Manifold*

### About Transforming Technologies

Since 1998, Transforming Technologies has helped electronic manufacturing facilities to protect their products and processes from the many serious problems associated with static electricity.

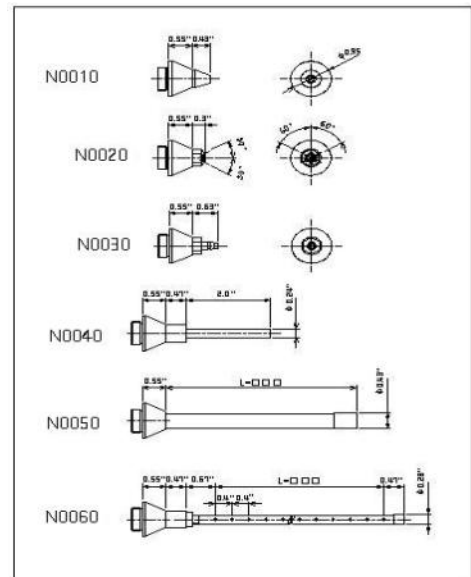
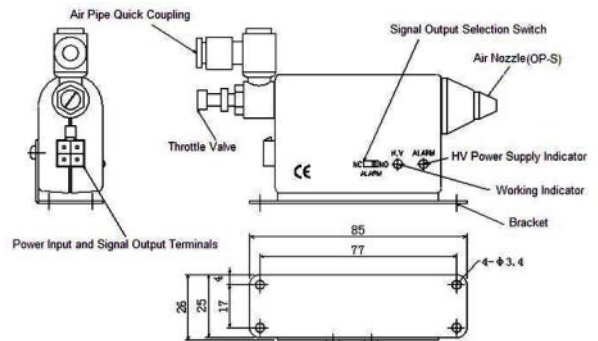
Transforming Technologies offers a wide range of unique and outstanding products to detect, protect, eliminate and monitor electrostatic charges. Our products are integral components of an effective static control program.

### Ptec™ Stability

The IN3425 air ionizing nozzle combines exceptionally fast static decay capability with excellent balance stability and can be mounted almost anywhere. The ionizing unit is self contained and operates using compressed air or nitrogen. The IN3425 uses a specialized piezoceramic technology that makes Ptec™ ionizers extremely reliable.

### Performance

Pressure (kgf / cm <sup>2</sup> )	45	55	70	85
Positive Decay Time (sec)	0.4	0.4	0.3	0.3
Negative Decay Time (sec)	0.5	0.4	0.3	0.3
Ion Balance (V)	Within 0±30V			
Test is done according to EOS/ESD-STM3.1-2000 standard of America.				



**Transforming Technologies, LLC**

3719 King Road.  
Toledo, OH 43617

Phone: 1.419.841.9552  
Fax: 1.419.841.3241

[www.transforming-technologies.com](http://www.transforming-technologies.com)

*Outstanding Alternatives in Static Control*