

# Staticmaster®

IONMASTER™ II Model 4064-1200 w/ P-2063



The IONMASTER II is a high output industrial fan ionizer that utilizes our proprietary alpha ionizing technology. When used in combination with the P-2063 ionizing cartridge, the model **4064-1200** is ideally suited for applications with irregularly shaped parts or components, or where a wide area of coverage is desired. Our unique technology eliminates the need for constant recalibration normally associated with other types of ionizing technologies.



Also utilizing our proprietary alpha ionization technology to produce balanced static control down to zero volts is the model **P-2063**. Its large 4.5" diameter opening allows for high air volume to pass through the ionizer. The model P-2063 was designed for use with the model 4064-1200, but can be used with any clean, dry air sources such as a flex hose with remote blower to remove static in a wide range of applications.



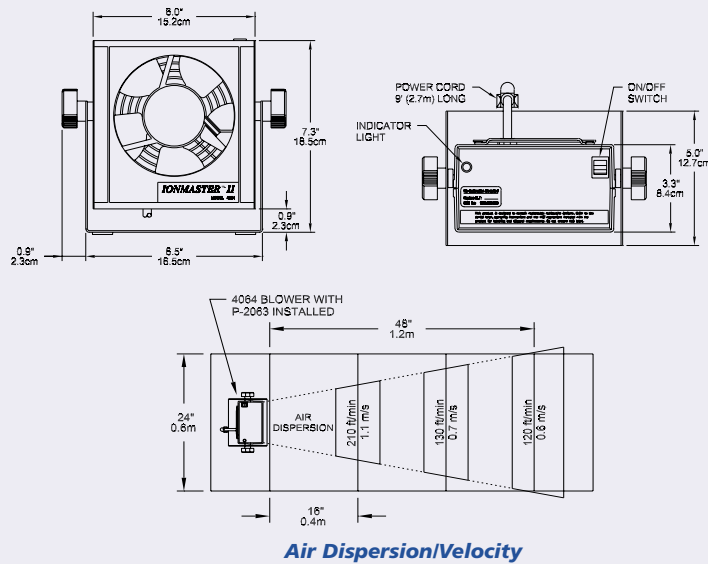
2937 Alt Boulevard / PO Box 310 / Grand Island, NY 14072-0310  
TOLL FREE 800 525 8076 / PHONE 716 773 7634 / FAX 716 773 7744 / EMAIL sales@nrdinc.com / WEB www.nrdinc.com

# Staticmaster®

## IONMASTER™ II Model 4064-1200 w/ P-2063

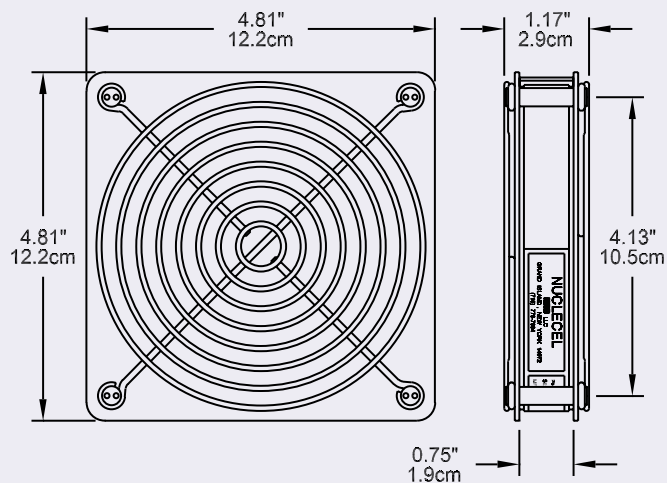
### Ionmaster™ II Model 4064-1200 Specifications

- Material:** ABS housing, metal base
- Weight:** 3.6 lbs. (1.6 kg)
- Electrical Supply:** 120 VAC 60 Hz
- Power Consumed:** 15W max
- Fan Flow Rating:** 90 CFM (0.042 m<sup>3</sup>/s)
- Noise:** 90 dB
- Decay Time:** 0.6 seconds (ESD Association 3.1, 12" distance, 1,000 to 100 V)



### Model P-2063 Specifications

- Dimensions:** 4.81" x 4.81" x 1.17" (12.2 cm x 12.2 cm x 2.9 cm)
- Flow Diameter:** 4.50" (11.4 cm)
- Weight:** 7.3 oz (208 g)
- Material:** P-2063-1000, aluminum faceplate
- Gas:** Air or nitrogen
- Isotope:** Polonium-210
- Emission:** Alpha
- Activity:** 31.5 mCi (1166 MBq)
- Mounting:** 1/4" diameter posts 0.75" long, spaced 4.13" on center
- Decay Time:** 0.6 seconds (ESD Association 3.1 @ 90 CFM, 12" distance, 1,000 to 100 V)



### Note on Ion Source

All NRD ion sources are encapsulated in precious metals by means of a patented process. This results in a static eliminator which resists oxidation, solvents, heat, cold and vibration. To maintain peak performance and conform to government regulations, ionizers are available on a one-year lease.

**Notice:** NRD warrants that these materials are reasonably fit for the purpose described. We believe that specifications and technical information presented are based on test methods that produce accurate results. The foregoing limited warranty is expressly made in lieu of, and no other express and no implied warranty of merchantability or fitness for a particular purpose is made. NRD, LLC, will not be liable for incidental, consequential, special, exemplary or punitive damages. The limited warranty will not apply to defects or damage due to accidents, neglect, misuse, alterations, error or failure to properly maintain, clean or repair products.



2937 Alt Boulevard / PO Box 310 / Grand Island, NY 14072-0310  
TOLL FREE 800 525 8076 / PHONE 716 773 7634 / FAX 716 773 7744 / EMAIL sales@nrdinc.com / WEB www.nrdinc.com